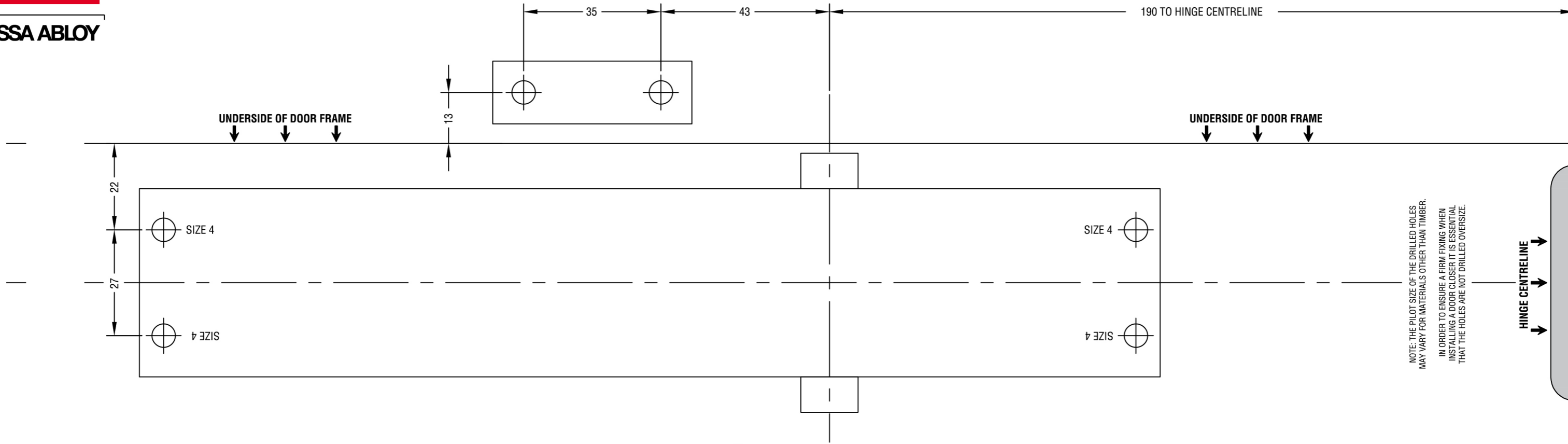
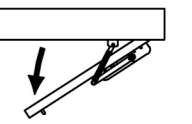


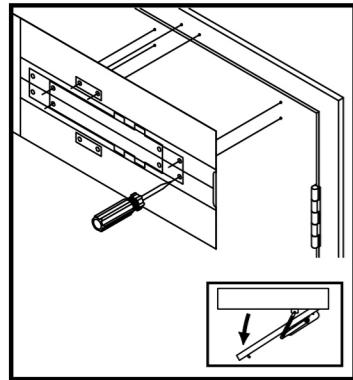


ASSA ABLOY

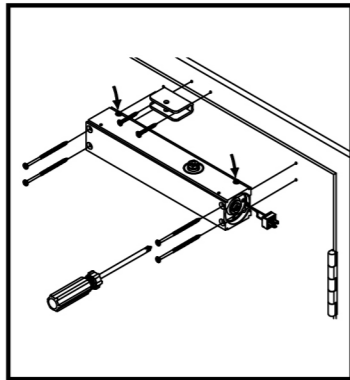
CE4F-E Anti-clockwise Opening Installation Instructions Fig 1 (LH)



NOTE: THE PILOT SIZE OF THE DRILLED HOLES MAY VARY FOR MATERIALS OTHER THAN TIMBER. IN ORDER TO ENSURE A FIRM FIXING WHEN INSTALLING A DOOR CLOSER IT IS ESSENTIAL THAT THE HOLES ARE NOT DRILLED OVERSIZE.

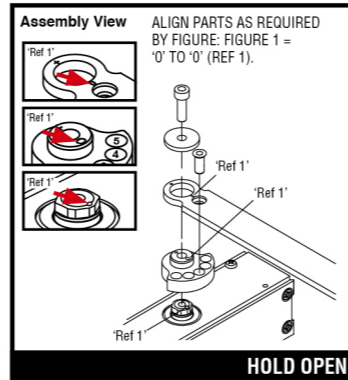


1 Fit template to door, mark holes then remove template.

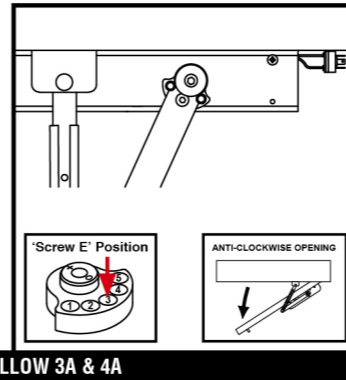


2 Fit figure 1 bracket using 3-off screws (B).

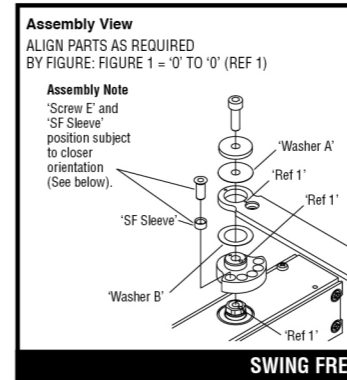
To fit in Hold Open mode follow steps 3A and 4A.
To fit in Swing Free mode follow steps 3B and 4B.
Then proceed to step 5.



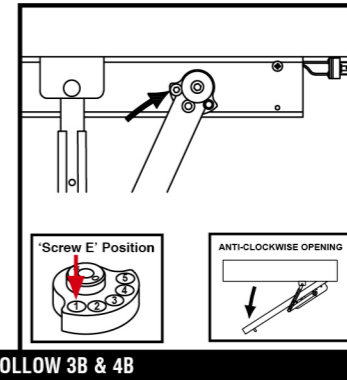
3A Align parts as indicated.



4A Ensure screw 'E' is located through the arm and into the hole 3 of the cam.



3B Align parts as indicated. Align '0' to '0'.



4B Place SF sleeve on to Screw 'E' and insert in hole 1.

Closer Adjustment

Please follow below instructions to change the latch & closing speed of your door closer. Note that adjustments can be made with the tool (see opposite) provided within the door closer box.

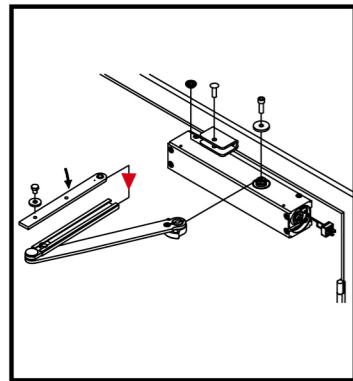
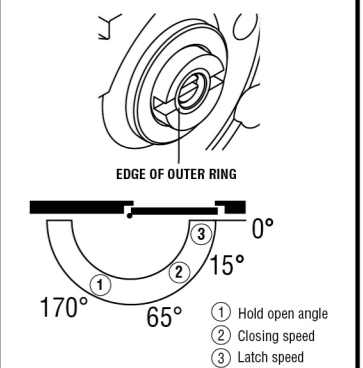
- EN1155
- Power Size 4
- 1100mm / 80KG

LATCH SPEED (OUTER CONTROL)
'OFF' POSITION - IS AS SHOWN ON DIAGRAM.
'ON' POSITION - ROTATE 1/2 A TURN TOWARDS LATCH.

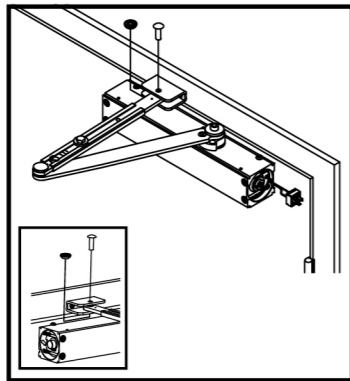


CLOSING SPEED (INNER CONTROL)
ROTATE CLOCKWISE TO REDUCE CLOSING SPEED. (NOTE: DO NOT OPEN VALVE PAST LEADING EDGE OF OUTER RING).

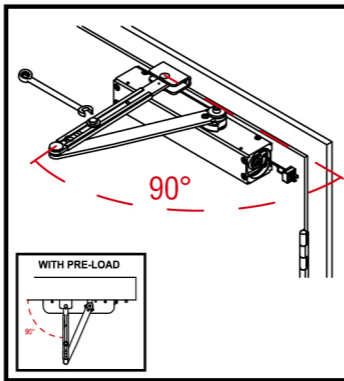
3D ADJUSTMENT END VIEW



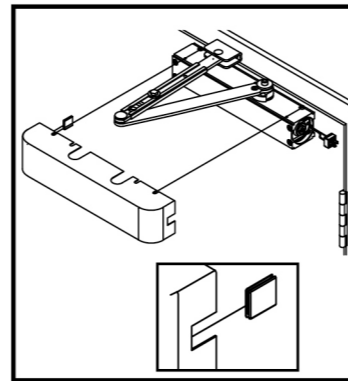
5 For Hold Open refer to 3A and 4A. For Swing Free refer to 3B and 4B.
• Slide the 'Moveable Arm' (arrow on diagram into the larger 'Fixed Arm Assembly' (see assembly view).
• Make sure 'Washer D' is between the 'Arm Bolt' and 'Fixed Arm Assembly'.
• Leave the 'Arm Bolt' loose until indicated in step 7.



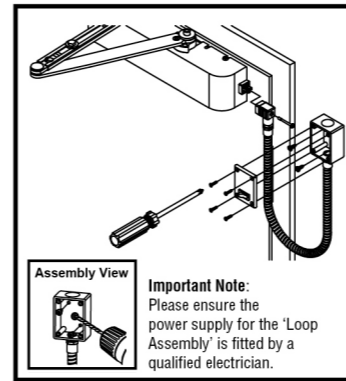
6 Press the 'Pivot Pin' through the bracket and 'Moveable Arm'. Press the 'Capped Circlip' onto the end of the 'Pivot Pin'. Ensure the 'Moveable Arm' is securely in place and cannot come free.



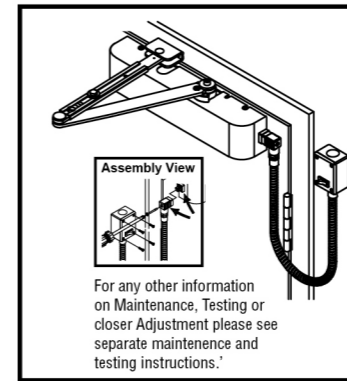
7 Rotate adjustable arm until top section is 90 degrees to the frame. Hold in place and tighten arm bolt with a 10mm spanner.



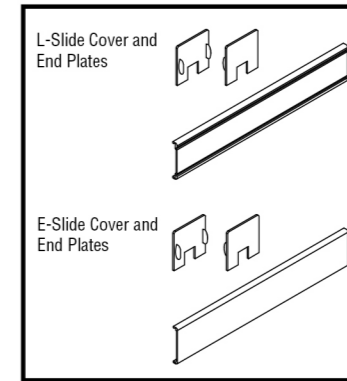
8 Place cover grommet and base connector are pushed in to sides of cover. Slide cover over body, locating onto 2 x screw G. Tighten 2 x screw G.



9 • Remove the 'Switch Box' screws and adapt the box to suit the 24V DC (at 100mA ±10%) power supply.
• Connect the power supply and fix the 'Switch Box' to the wall using 2 x 'Screw F'.
• Ensure the location of the 'Switch Box' does not hinder operation.



10 • Re-assemble the 'Switch Box' ensuring the power is connected correctly.
• Then insert the 'Loop Assembly' into the 'Base Connector' (arrows on diagram).
• Ensure 'Screw C' is securely in place.

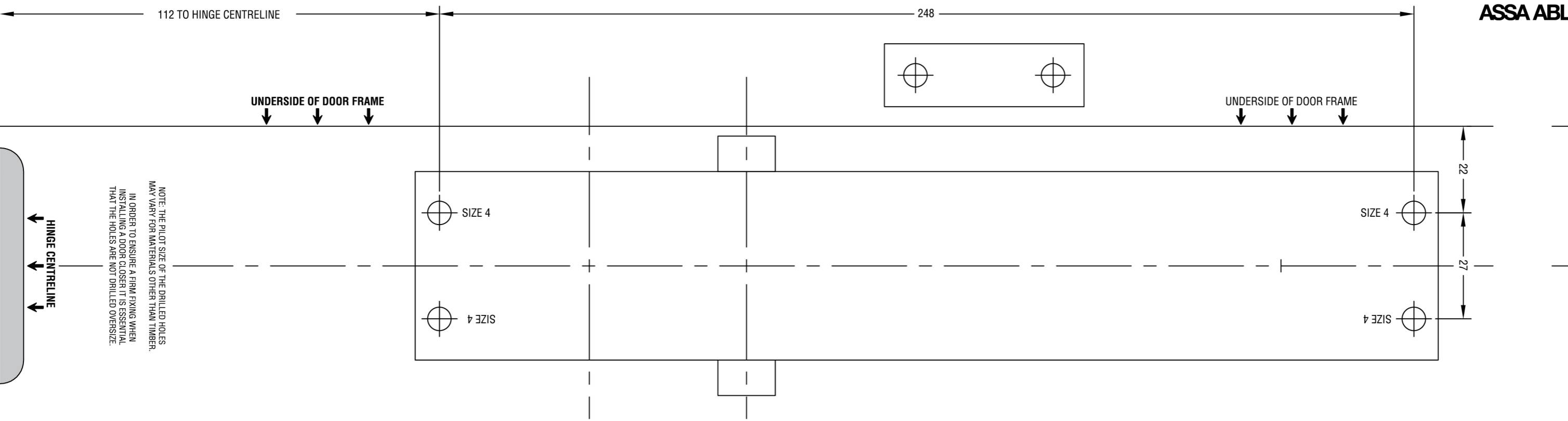


If using optional slide cover: Slide cover on to front of closer and clip in end plates.

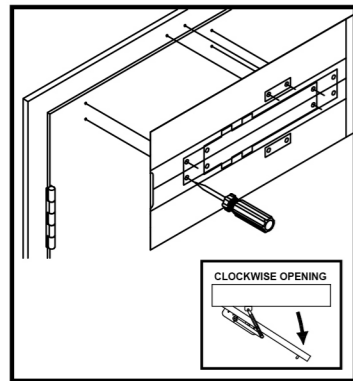
CE4F-E Clockwise Opening Installation Instructions Fig 1 (RH)



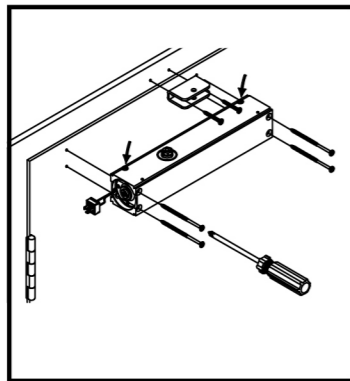
ASSA ABLOY



NOTE: THE PILOT SIZE OF THE DRILLED HOLES MAY VARY FOR MATERIALS OTHER THAN TIMBER. IN ORDER TO ENSURE A FIRM FIXING WHEN INSTALLING A DOOR CLOSER IT IS ESSENTIAL THAT THE HOLES ARE NOT DRILLED OVERSIZE.

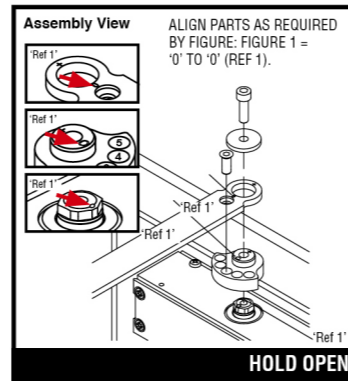


1 Fit template to door, mark holes then remove template.

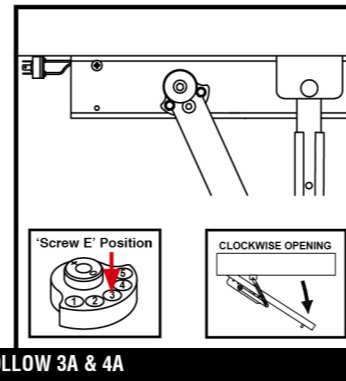


2 Fit body to door using 4-off screws (A). Use spirit level to get body parallel to door frame. Fit figure 1 bracket using 2 off screws (B).

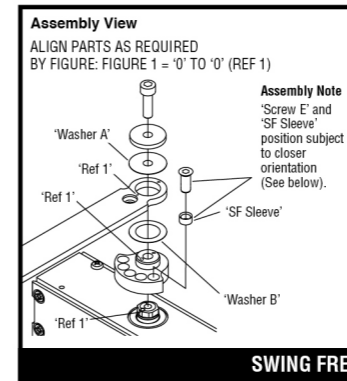
To fit in Hold Open mode follow steps 3A and 4A.
To fit in Swing Free mode follow steps 3B and 4B.
Then proceed to step 5.



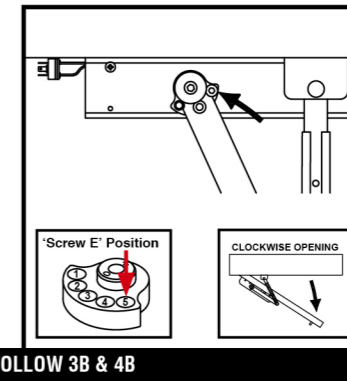
3A Align parts as indicated.



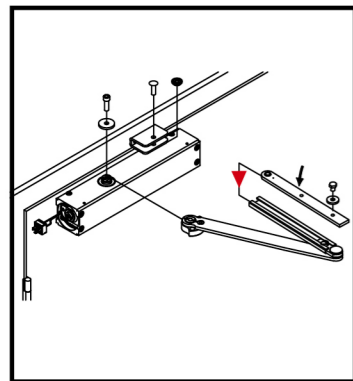
4A Ensure screw 'E' is located through the arm and into the hole 3 of the cam.



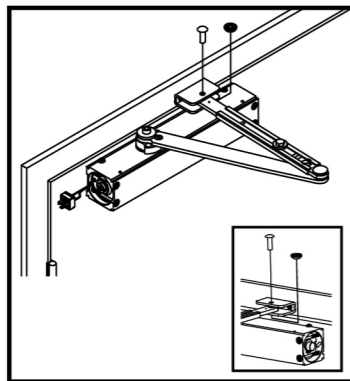
3B Align parts as indicated. Align 'O' to 'O'.



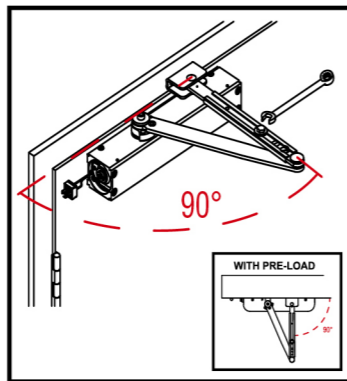
4B Place SF sleeve on top of Screw 'E' and insert in hole 5.



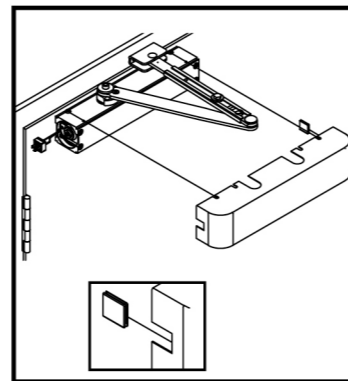
5 For Hold Open refer to 3A and 4A. For Swing Free refer to 3B and 4B.
• Slide the 'Moveable Arm' (arrow on diagram into the larger 'Fixed Arm Assembly' (see assembly view).
• Make sure 'Washer D' is between the 'Arm Bolt' and 'Fixed Arm Assembly'.
• Leave the 'Arm Bolt' loose until indicated in step 7.



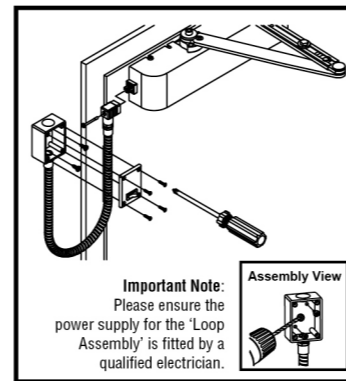
6 Press the 'Pivot Pin' through the bracket and 'Moveable Arm'. Press the 'Capped Circlip' onto the end of the 'Pivot Pin'. Ensure the 'Moveable Arm' is securely in place and cannot come free.



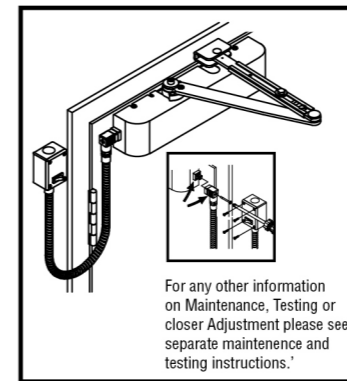
7 Rotate adjustable arm until top section is 90 degrees to the frame. Hold in place and tighten arm bolt with a 10mm spanner.



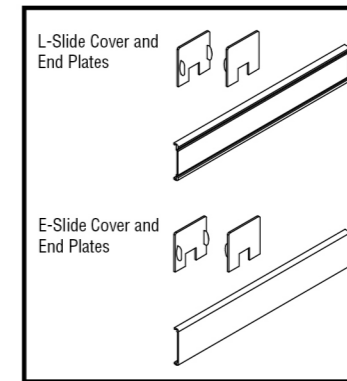
8 Place cover grommet and base connector are pushed in to sides of cover. Slide cover over body, locating onto 2 x screw G. Tighten 2 x screw G.



9 • Remove the 'Switch Box' screws and adapt the box to suit the 24V DC (at 100mA ±10%) power supply.
• Connect the power supply and fix the 'Switch Box' to the wall using 2 x 'Screw F'.
• Ensure the location of the 'Switch Box' does not hinder operation.



10 • Re-assemble the 'Switch Box' ensuring the power is connected correctly.
• Then insert the 'Loop Assembly' into the 'Base Connector' (arrows on diagram).
• Ensure 'Screw C' is securely in place.



If using optional slide cover: Slide cover on to front of closer and clip in end plates.

Closer Adjustment

Please follow below instructions to change the latch & closing speed of your door closer. Note that adjustments can be made with the tool (see opposite) provided within the door closer box.

- EN1155
- Power Size 4
- 1100mm / 80KG

LATCH SPEED (OUTER CONTROL)
OFF POSITION - IS AS SHOWN ON DIAGRAM.
ON POSITION - ROTATE 1/2 A TURN TOWARDS LATCH.

CLOSING SPEED (INNER CONTROL)
ROTATE CLOCKWISE TO REDUCE CLOSING SPEED. (NOTE: DO NOT OPEN VALVE PAST LEADING EDGE OF OUTER RING).

3D ADJUSTMENT END VIEW

- ① Hold open angle
- ② Closing speed
- ③ Latch speed